

Dual Axis RS-232 Inclinometer

Part Number: 0729-1759-99



Operating Specifications¹

Communications	RS-232
Supply Voltage	+7 to +16 V dc
Supply Current	20 mA @ 7 V dc
Operating range	±60°
Linear Range	±25°
Axes of Measurement	2
Linearity (% of ±60°)	≤ 7.0%
Linearity (% of ±25°)	≤ 2.0%
Symmetry (±60°)	≤3°
Symmetry (±25°)	≤1°
Repeatability	≤0.1°
Resolution	≤0.003°
Null Offset	≤5°
Cross-Axis Sensitivity	≤ 0.025° per degree
Long Term Stability/Drift	≤0.1°
Null Temperature Offset	0.006° per °C
Range Temperature Offset	0.1% per °C
Operating Temperature	-40° to +70° C
Storage Temperature	-40° to +70° C
Frequency Response	≤100 ms
Settling Time	≤500 ms

Physical Characteristics

Housing	Plastic ²
Electrical Connections	12" cable with 24 gauge wire
Weight	47 grams
Length	56.30 mm (2.217")
Width	40.00 mm (1.575")
Height	20.00 mm (0.335")
Hole Center	28.50 mm (0.787")

RS-232 Commands³ (case sensitive)

'X'	X Axis Output (0 to 65535)
'Y'	Y Axis Output (0 to 65535)
'T'	Temperature output (0 to 1023)
'S'	Output X, Y, Temperature at set intervals
'R'	Stop timed interval output
'1' to '5'	Delay (in seconds) for set intervals
'@' 'Z' '#'	Save current position as zero
'&' 'C' '*'	Reset saved zero position

Wiring

Red	Supply voltage
Black & Yellow	Ground
Green	RS-232 Transmit
Blue	RS-232 Receive

Certifications and Ratings

- IP66

¹ See The Fredericks Company website for a list of term definitions.

² Metal housing available upon request.

³ See the 0729-1759-99 Instruction Manual for RS-232 command descriptions and setup instructions.

Description

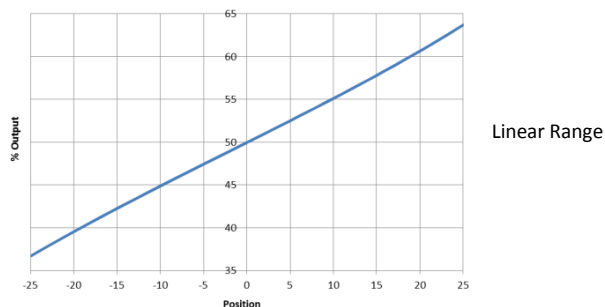
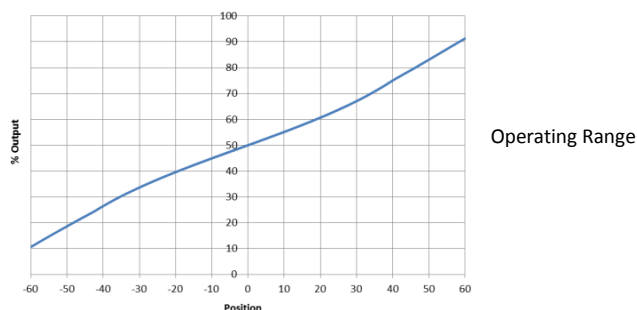
The 0729-1759-99 RS-232 inclinometer utilizes a Fredericks TrueTilt™ wide range electrolytic tilt sensor and RS-232 signal conditioner. Its robust plastic housing and epoxy potting provide excellent durability and environmental protection. This inclinometer has superior tolerances and unit to unit performance. Its small profile and economic design make it an ideal solution for a versatile range of applications in all sectors.

Applications

- Aerial lift platform leveling monitor or control
- Crane boom angle measurement
- Robotic controls
- Satellite dish alignment
- Solar panel position and elevation control
- Wheel alignment systems

View a full list of applications on The Fredericks Company website at www.fredericks.com.

Operating and Linear Range Output Behavior



Benefits

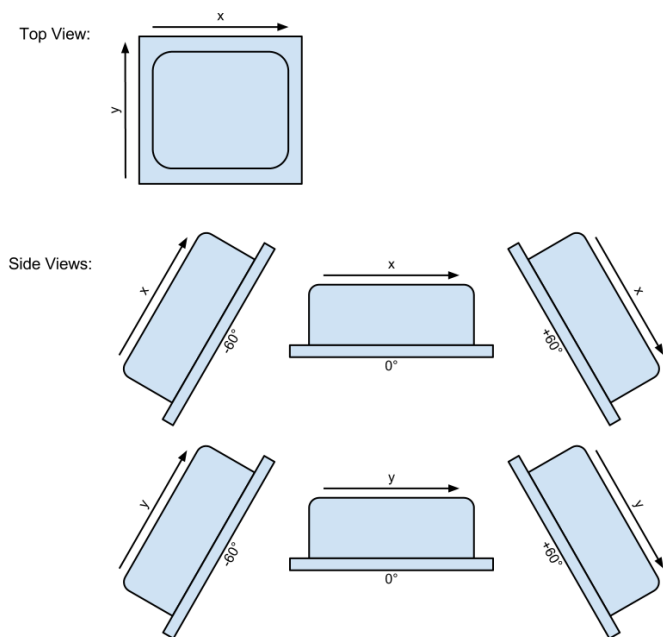
- Very low power consumption
- Extremely long life
- Minimal drift over lifetime compared to MEMS devices
- Excellent resolution and repeatability
- Superior performance in extreme temperatures and environments
- Excellent customer support
- Manufactured in the United States of America



Dual Axis RS-232 Inclinometer
Part Number: 0729-1759-99



Direction of Measurement



RS-232 Settings	
Baud Rate	9600
Data Bits	8
Parity	None
Stop Bits	1

Mounting Notes

The 0729-1759-99 and all inclinometers in this series must be mounted horizontally (parallel to the surface of the earth and perpendicular to the force of gravity). For best performance, isolate the unit from vibrations when mounting it.

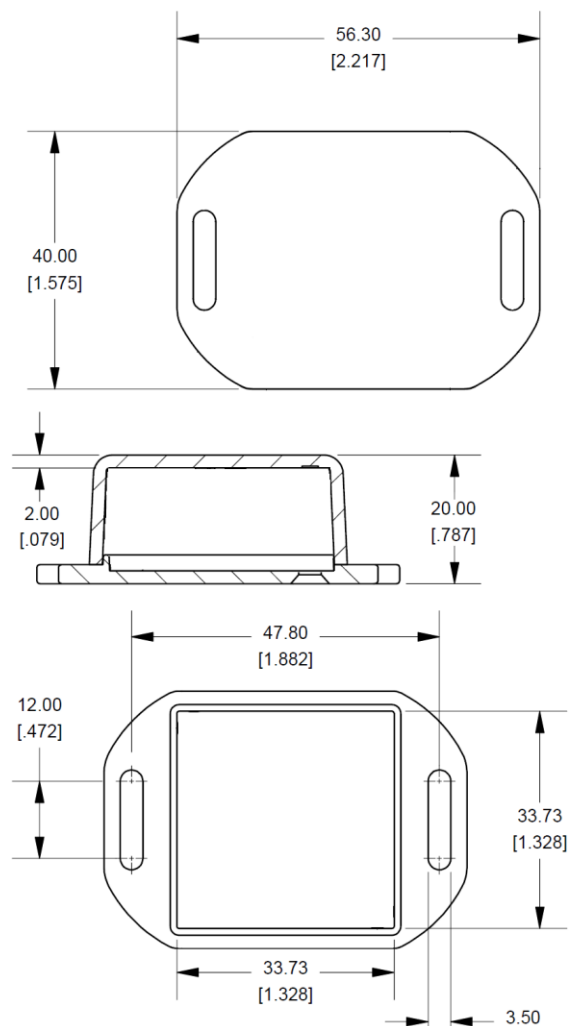
Related Products

0729 series inclinometers - These inclinometers utilize Fredericks TrueTilt™ wide range electrolytic tilt sensors. They have a variety of outputs including analog, RS-232, and RS-485. These inclinometers have a low profile and a robust plastic housing with epoxy potting to provide excellent durability and environmental protection.

6200 series signal conditioners - These signal conditioners can be configured with any Fredericks electrolytic tilt sensor. They have a variety of outputs including analog, PWM, RS-232, RS-485, and SPI. The electrolytic tilt sensor and signal conditioner are provided separately or as an assembly with the sensor already installed at the customer's request.

See The Fredericks Company website at www.frederickscom.com for a full list of products.

Dimensional Drawings



Contact Us

The Fredericks Company
 2400 Philmont Avenue
 Huntingdon Valley, PA 19006
 tel: 215-947-2500
 fax: 215-947-7464
 email: sales@frederickscom.com
 web: www.frederickscom.com

Disclaimer: Specifications subject to change without notice. The Fredericks Company assumes no responsibility for inaccuracies in product specifications or any liability arising from product use.
 © 2013 The Fredericks Company

