



AC SOLID STATE RELAY

10A / 250 Vrms

CSS-602-1

FEATURES:

- 1500 Vrms optical isolation
- Zero voltage turn-on
- Zero current turn-off
- TTL compatible input
- Low minimum output current
- Extremely low EMI
- Custom power package with screw terminal



ELECTRICAL SPECIFICATIONS

(-55°C to +95°C unless otherwise specified)

Input Data:

Input voltage range:	3.8-32 Vdc
Assured turn-on voltage:	3.8 Vdc
Assured turn-off voltage:	1 Vdc
Input Current (max):	16 mAdc
Reverse voltage protection:	-32 Vdc

Output Data:

Rated output current (max):	10 A
Rated output voltage:	25-250 Vrms
Output voltage drop @10A (see fig.):	1.5 Vrms
Off-state leakage current @240 Vrms/400Hz, +85°C:	9 mA
Transient voltage (peak):	500 V
Frequency:	45-440Hz
Turn-on time (max):	1/2 cycle
Turn-off time (max):	1 cycle
dV/dt @25°C (min):	200 V/μs
Zero voltage turn-on window (peak, max):	±15 V
Junction Temperature (T _J Max) @Rated Current	110°C
Thermal resistance (max.), junction to ambient	11.5°C/W
Thermal resistance (max.), junction to case	2°C/W
Fusing I ² T, 1 ms (max)	150A ² s
Load power factor (min)	0.2

Electrical Data:

Dielectric Withstanding voltage (min)	1500 Vrms
Insulation resistance (min) @500 Vdc	10 ⁸ Ω
Input to Output Capacitance	15 pF
Power dissipation (max)	1.5W/A

ENVIRONMENTAL DATA:

Ambient temperature (operating):	-55°C to +95°C
Ambient temperature (storage):	-55°C to +110°C
Vibration:	30 g, 78 to 2000 Hz
Shock:	100 g, 6ms pulse
Acceleration:	100 g

MECHANICAL SPECIFICATIONS

Weight: 3 oz (85 grams) max

Materials:

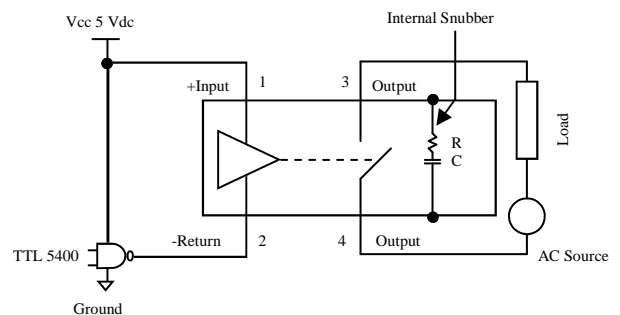
Case: Plastic, self-extinguishing, epoxy filled

Terminals: Brass, nickel plated

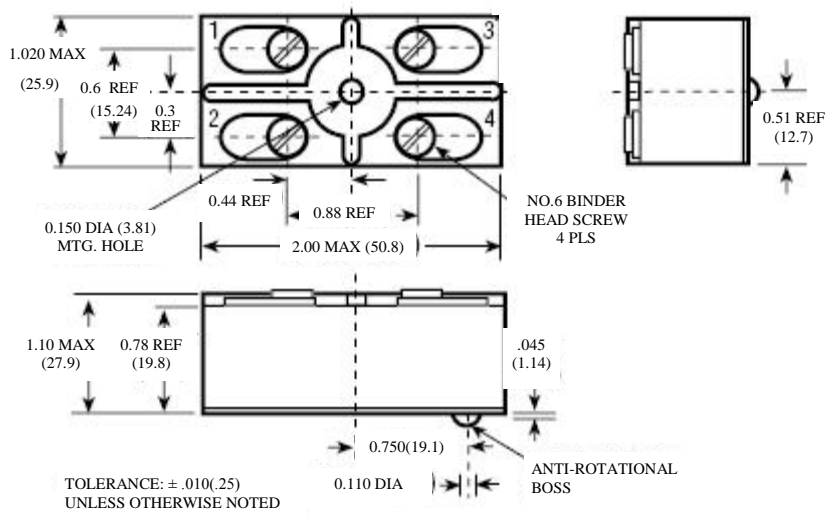
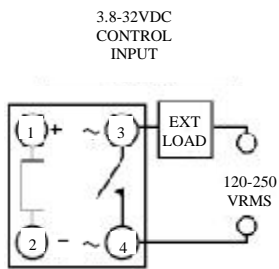
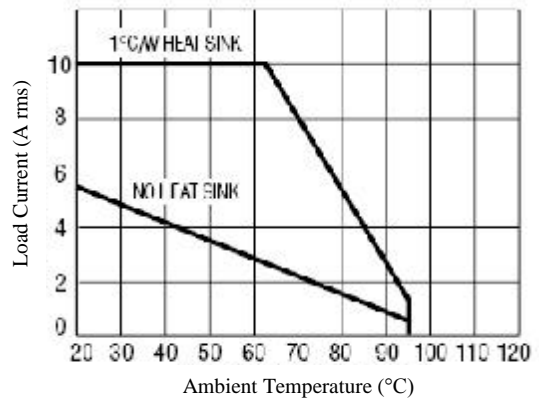
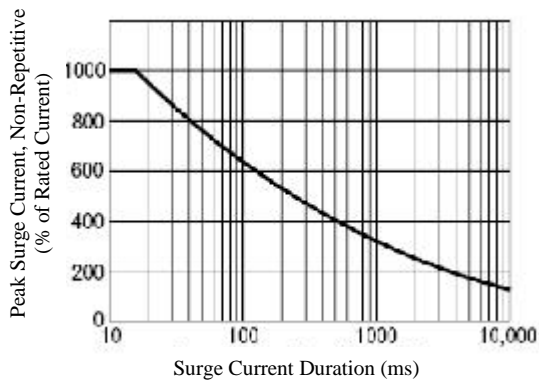
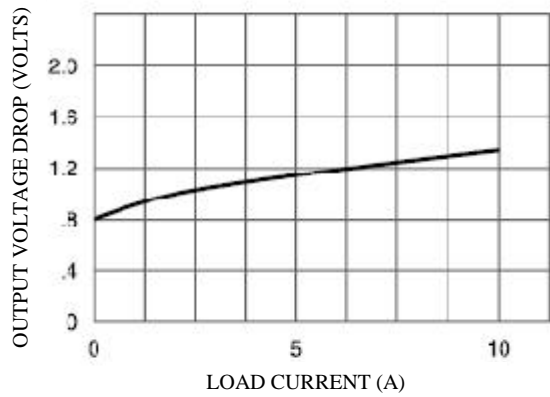
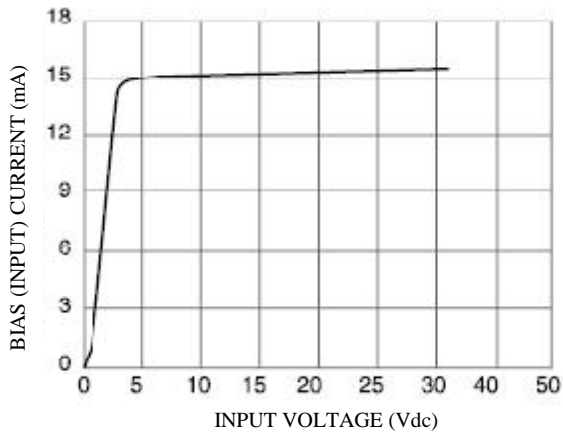
Base plate: Aluminum

Screw Torque: 180 in./oz. (max)

WIRING DIAGRAM



Terminal numbers for reference only



Circuit diagram shown on part is terminal view