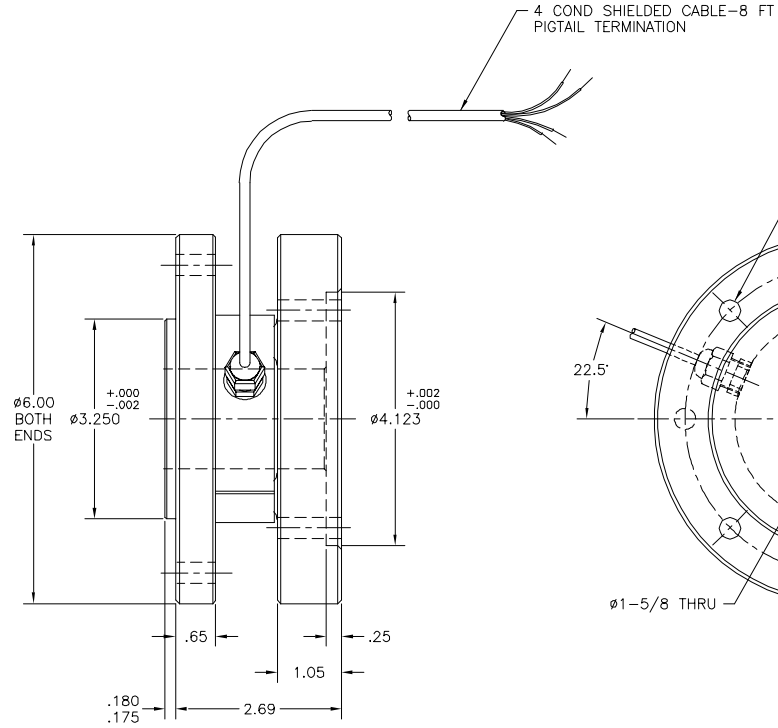
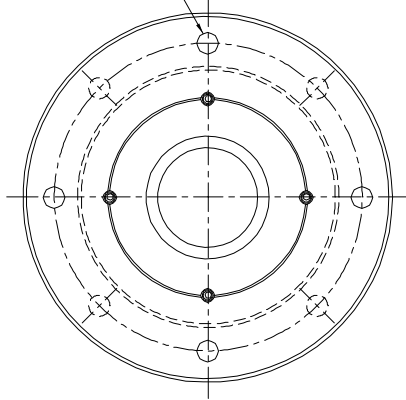
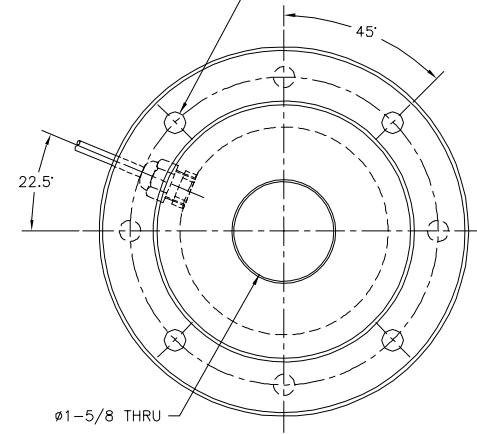


REV	DESCRIPTION	BY	DATE	CHK	ENG	REL	DATE
-	REL. FOR PRODUCTION	-	-	-	-	-	9-27-07

11/32 DRILL THRU TO CENTER
4 HOLES EQUALLY SPACED
AS SHOWN ON A Ø5.000 B.C.



11/32 DRILL THRU TO CENTER
4 HOLES EQUALLY SPACED
AS SHOWN ON A Ø5.000 B.C.



SPECIFICATIONS MODEL: 01302-122-B0000
CAPACITY (IN. LBS.) F.S. 1,200
OUTPUT @ F.S. NOM. (mV/V) 1.7

POLARITY: C.W. UPSCALE
ASSEMBLY DWG REF: 20100C0-*
*-INDICATES CURRENT REV

FINISH	SCALE FULL	CHECKED BY D.S.
MATRL	DATE 9-25-07	PROJ. ENG. D.S.
INSTALLATION MODEL: 01302-122-B0000		DRAWN BY GMC

WIRING CODE	FUNCTION	UNLESS OTHERWISE SPECIFIED DIM'S ARE IN INCHES	D.E. REVIEW
RED	+ EXC.	X.X ±.03 X.XX ±.01 X.XXX ±.005 ANG. ±.5	BY DATE
GREEN	+ SIG.		DRAWING NUMBER
WHITE	- SIG.		20101D0-0
BLACK	- EXC.		

Sensor Developments Inc. ORION, MI 48359