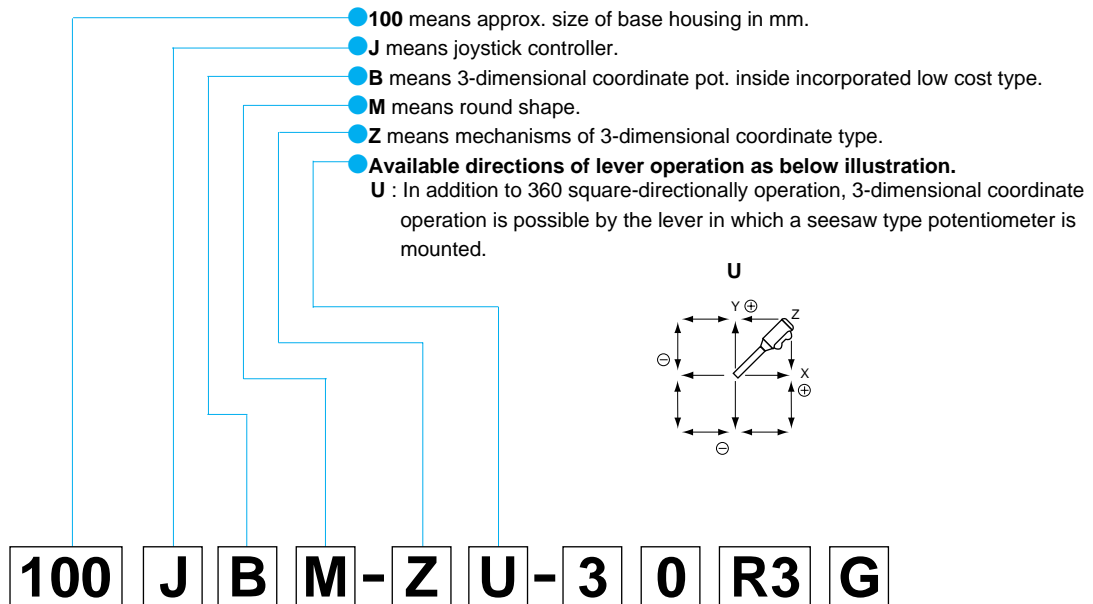


100JB

New Product

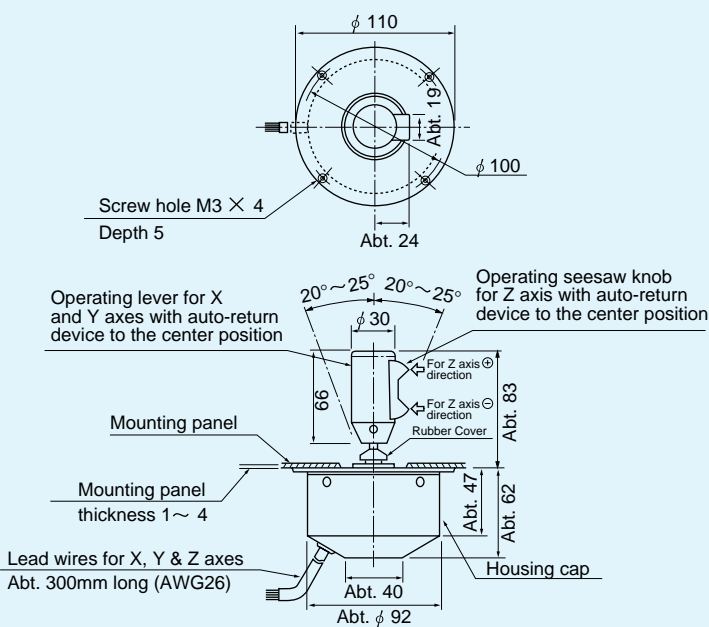
Low-cost and high performance, seesaw type potentiometer for Z axis mounted

Nomenclature

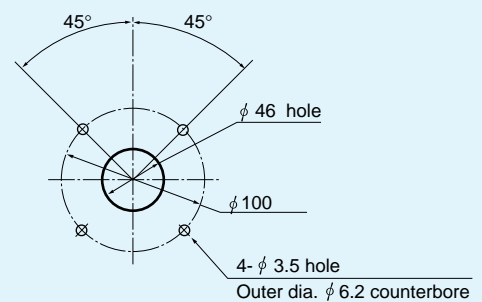


Number of potentiometers to be mounted. ●
 3...3 potentiometers mounted.
Number of switches to be mounted. ●
 0...no switch mounted.
With spring return device : ●
 R3 : with spring return device for 3-dimensional coordinate type.
Mounting accessories : G : with dust proof rubber cover. ●

Standard Dimensions



Panel Arrangements



Note : 4 pcs. of mounting screws (M3 × 8) are attached.

(Unit : mm)



100JBM-ZU-30R3G
(standard)
(3-dimensional coordinate type)

STANDARD SPECIFICATIONS

●Mechanical Performances

Controlling range of operating lever :

- 2-dimensional coordinate type : Omni-directionally approx. $\pm 20^\circ \sim \pm 25^\circ$ operation from center position.
- 3-dimensional coordinate type : Approx. $\pm 15^\circ \sim \pm 19^\circ$ operation from the center position of the seesaw knob, in addition to the controlling range of 2-dimensional coordinate type.

Operating force : With standard automatically center returning spring return device.

X, Y directions : Approx. 0.8 ~ 2.3N (80 ~ 230gf.) [2 springs fitted (subject to directivity) are standard version.]

Z direction : Approx. 24 ~ 30mN·m (240 ~ 300gf·cm)

Operating temperature range : -20°C ~ +65°C

Vibration : 10 ~ 55Hz 98m/s² (10G)

Shock : 294m/s² (30G)

Life expectancy : Approx. 5,000,000 operations for X and Y axes.

Approx. 2,000,000 operations for Z axis

Mass : 3-dimensional coordinate type : Approx. 410g

●Electrical Performances

Potentiometers mounted :

- For X and Y axes (Electrical rotating angle : Approx. 40°) SFCP22E, 10k Ω ±15% , 0.13W, Independent linearity tolerance±3% (conductive plastic resistive element).
- For Z axis (Electrical rotating angle : Approx. 30°) Special potentiometer (SFCP30A) exclusively used for seesaw knob. 10k Ω ±15%, 0.1W, Independent linearity tolerance ±3%.

Output smoothness : Below 0.2% against input voltage

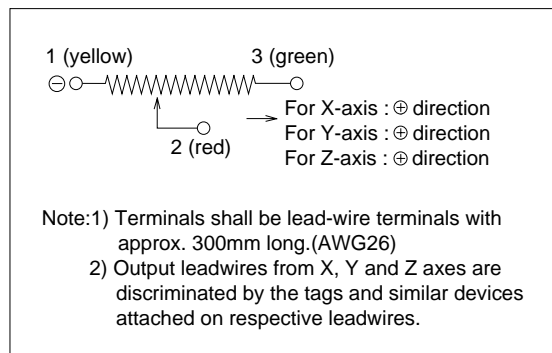
Contact resistance variation : Below 5% C.R.V.

Resolution : Essentially infinite

Dielectric strength : 1 minute at 500V.A.C.

Insulation resistance : Over 1,000M Ω at 500V.D.C.

●Terminal Connection Diagram



●Special Specifications Available

Please see page 41, table of “Standard and Special Specifications Available”.