

Force Sensors

10127

CANISTER FORCE SENSOR

This is a low profile, high performance sensor for weighing and force measuring applications. The unit is capable of measuring forces in both tension and compression loading conditions.

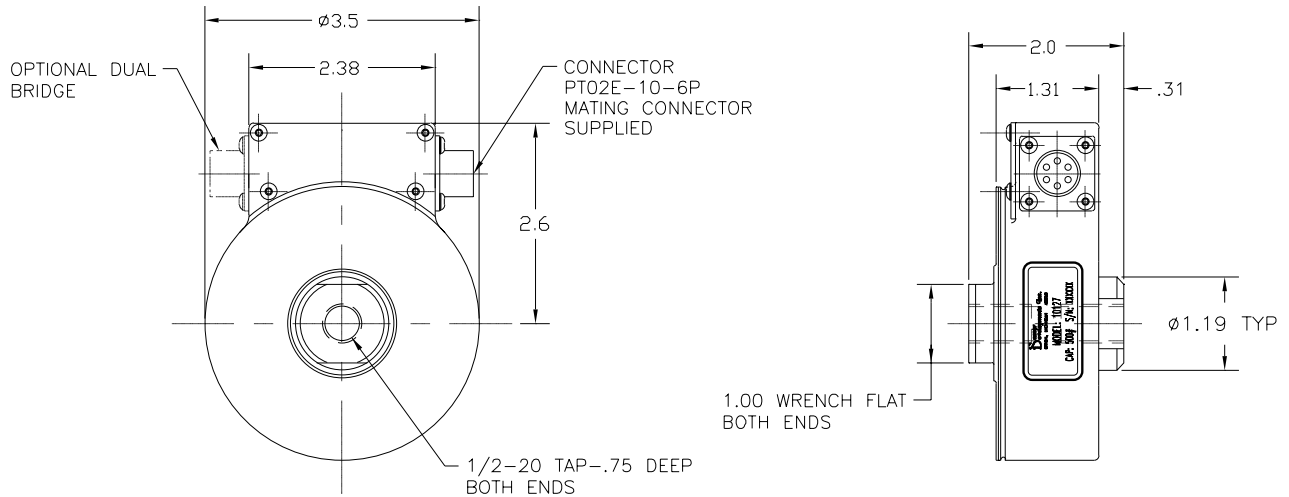
SPECIFICATIONS

Capacities..... 500 to 5K lb. (See chart)
 Overload capacity..... 150% of F.S.
 Output at F.S..... 2.0 mV/V nominal
 Non-linearity..... 0.10% of F.S.
 Hysteresis..... 0.10% of F.S.
 Zero balance..... 1% of F.S.
 Compensated temperature..... 70 to 170°F
 Useable temperature..... -65 to +250°F
 Temperature effect on zero..... 0.002% of F.S./°F
 Temperature effect on span.. 0.002% of Rdg./°F
 Bridge resistance..... 350 Ohms
 Excitation voltage, maximum..... 20 Vdc
 Material 17-4 Stainless steel



MODEL	CAPACITY
	LB
10127-052	500
10127-013	1000
10127-023	2000
10127-053	5000

DIMENSIONS



DWG

Note: Add "A" to the part number for Auto-ID and/or add "D" for optional dual bridge.



ORDER TOLL FREE 1-888-SENSOR-1