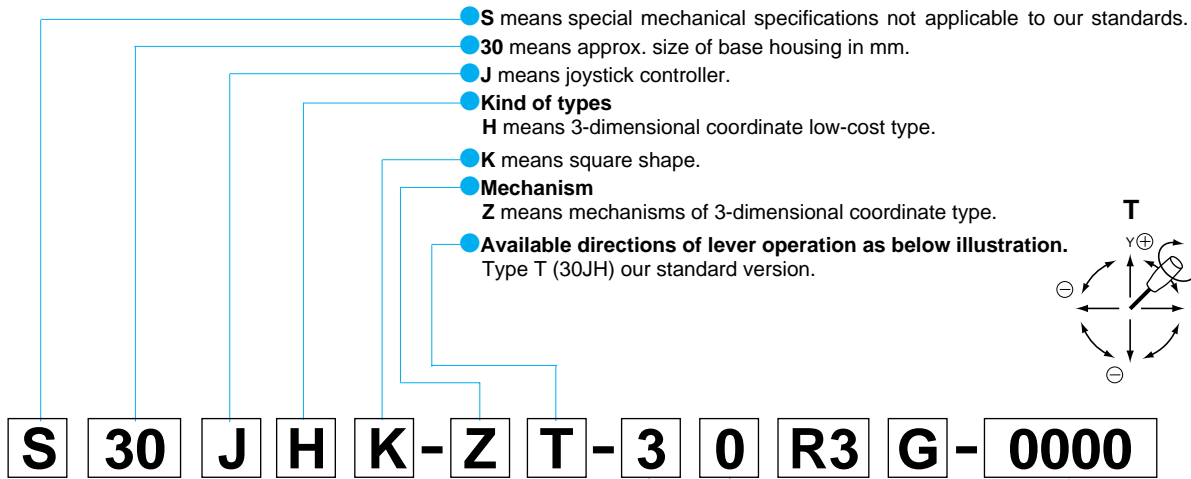


# 30JH

## Nomenclature



**Number of potentiometers to be mounted.**  
 2...2 potentiometers mounted (in case of the knob with an incorporated switch.)  
 3...3 potentiometers mounted.

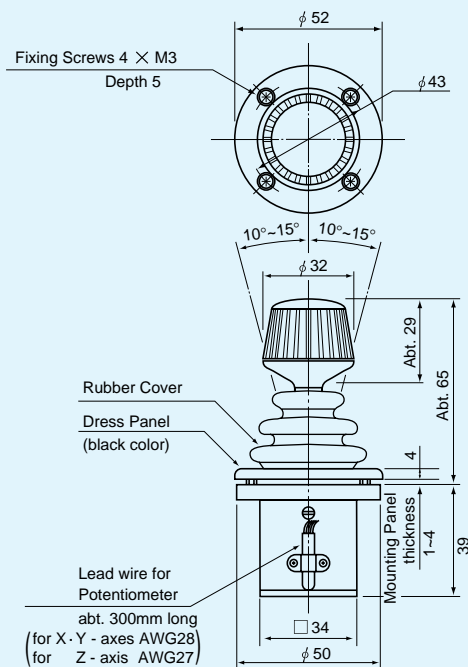
**Number of Switches to be mounted.**  
 0...no switch mounted.  
 2...2 switches mounted (These switches operate at both ends, which mount inside the knob instead of potentiometer, which is special version.)

**With spring return device :**  
**R3** : with spring return device for 3-dimensional coordinate type. (30JH standard option)

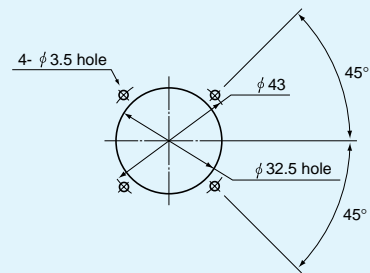
**Mounting accessories :** **G**: with dust proof rubber cover. (30JH standard option) **P**: with sub-panel for mounting.

**Special part number basing on customer's specifications with 4 digits number.**

## Standard Dimensions



## Panel Arrangements



Note: 1) 4 pcs. of mounting screws (M3 × 8) are attached.  
 2) Fastening torque of fixing screws shall be below 400mN·m(4kgf·cm).

(Unit : mm)

