

DRAWING #: AGI300-1

ENVIRONMENTALLY FRIENDLY MOTION SENSOR, CONTAINS NO HAZARDOUS MATERIAL.

NOTES:

1. ELECTRICAL:

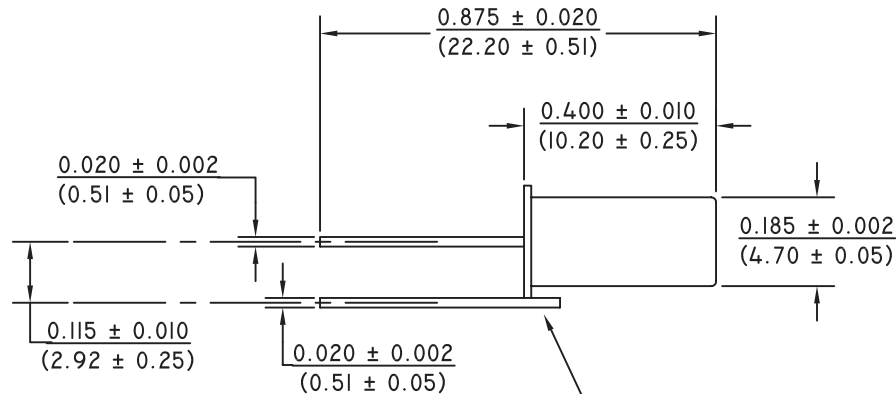
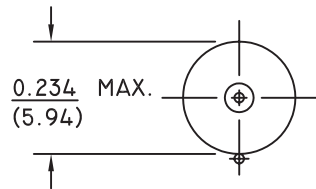
- 1.1 CONTACT CAPACITY: 60 VOLTS MAX., 0.25 A MAX., 3 VA. MAX.
- 1.2 CONTACT RESISTANCE 1 OHMS MAX. MEASURED 10 DEG. BELOW HORIZONTAL AT 5 VDC.

2. OPERATE:

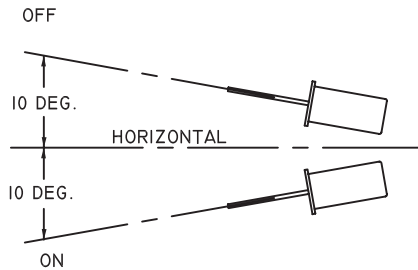
- 2.1 MAXIMUM BREAK ANGLE 10 DEG. ABOVE HORIZONTAL.
- 2.2 MAXIMUM MAKE ANGLE 10 DEG. BELOW HORIZONTAL.
- 2.3 DIFFFERENTIAL ANGLE 15 DEG. MAX.

3. EXTERNAL FINISH:

- 3.1 EXTERNALLY TIN PLATED.



52 ALLOY LEAD WELDED.



US PATENT NUMBERS 5209343 AND 5332876

COMUS INTERNATIONAL

454 ALLWOOD ROAD, CLIFTON, NEW JERSEY 07012

TEL. (973) 777-6900

UNSPECIFIED TOLERANCES

DECIMAL: .XX ± 0.01 [.254]
.XXX ± 0.005 [.127]

FRACTIONAL: ± 1/64

ANGULAR: ± 1/2°

REF.:

SCALE:

NONE

DRAWN BY:

S.H.

APPR:

DATE:

TITLE: TILT SWITCH / MOTION SENSOR

DATE: 12/31/1997

DRAWING #: AGI300-1

B	09/06/2002	REDRWAN	A.S.
A	06/04/1999	UPDATE TO ISO 9000	S.H.
REV.	DATE	REVISION DESCRIPTION	DR.