


DP6-OC

industrial relays

DURAKOOL



- Relays **DP6-OC** - with transistor output, rated load up to 0.5 A / 70 V DC
- 35 mm DIN rail mount, EN 50022, wires connection with screw terminals - 0.2...4 mm²
- Adapted for the co-operation with interconnection strip type **ZG20**
- Equipped in LED green
- Recognitions, certificates, directives: 



Transistor - output

| | | |
|------------------------|-----|-----------------|
| Max. switching voltage | DC | 70 V |
| Min. switching voltage | DC | 5 V |
| Rated load | DC1 | 0.5 A / 70 V DC |
| Min. switching current | | 1 mA |

Input control circuit

| | | | |
|-------------------------|-------|---------------------------------------|---------------------|
| Rated voltage | DC | 5...32 V | |
| | AC/DC | 24-230 V AC: 50/60 Hz | |
| Turn-off voltage | | AC: $\geq 0.2 U_n$ DC: $\geq 0.1 U_n$ | |
| Rated power consumption | | 0.3 W | 5...32 V DC at 24 V |
| | | 0.3 VA / 0.3 W | 24 V AC/DC |
| | | 1.0 VA / 1.0 W | 230 V AC/DC |

Insulation

| | |
|------------------------------|------------|
| Insulation category | C250 |
| Insulation rated voltage | 600 V AC |
| Rated insulation voltage I/O | 3 000 V AC |
| Insulation pollution degree | 2 |

General data

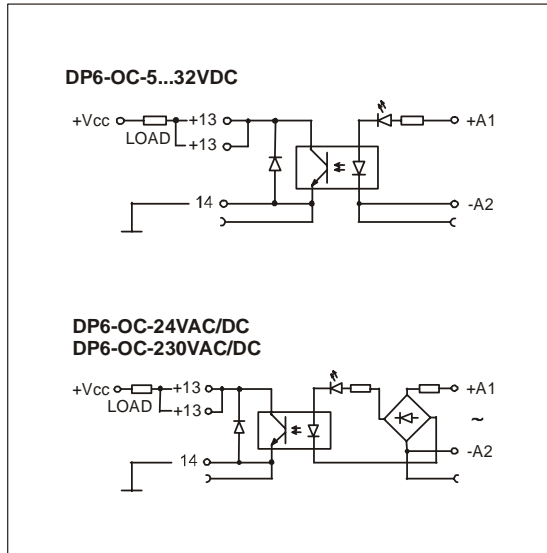
| | | |
|--------------------------|--------------------|---|
| Max. switching frequency | 10 kHz | 5...32 V DC (for load up to 24 V DC - 15 KHz) |
| | ---- | 24 V AC/DC |
| | ---- | 230 V AC/DC |
| Dimensions (L x W x H) | 80 x 6.2 x 93.8 mm | |
| Weight | 40 g | |
| Ambient temperature | | |
| • storage | -40...+70 °C | |
| • operating | -40...+55 °C | |
| Protection category | IP 20 | |
| Environmental protection | RTI IEC 61810-7 | |

Input data

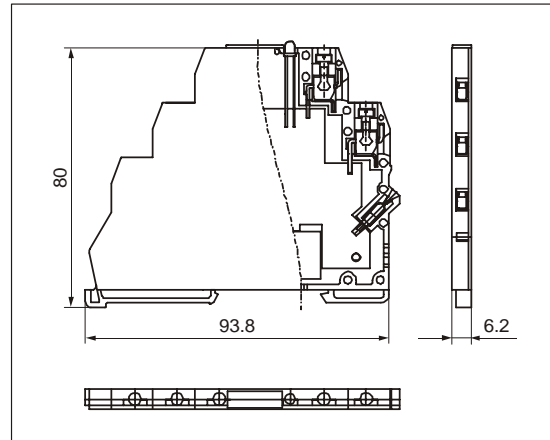
Table 1

| Relay code | Nominal input voltage U_n | Power of input - control circuit |
|------------------|-----------------------------|----------------------------------|
| DP6-OC-5...32VDC | 5...32 V DC | 0.3 W at 24 V |
| DP6-OC-24VAC/DC | 24 V AC/DC | 0.3 VA / 0.3 W |
| DP6-OC-230VAC/DC | 230 V AC/DC | 1.0 VA / 1.0 W |

Connection diagrams



Dimensions



Mounting

Relays **DP6-OC** are designed for 35 mm DIN rail mount, EN 50022.

DP6-OC are adapted for the co-operation with interconnection strip type **DG20**. Interconnection strip **DG20** allows to common bridging outputs or inputs. Colours of strips: **DG20-1** red, **DG20-2** black, **DG20-3** blue.

Ordering codes

Ordering codes **DP6-OC** are specified in Table 1, "Relay code" column.

