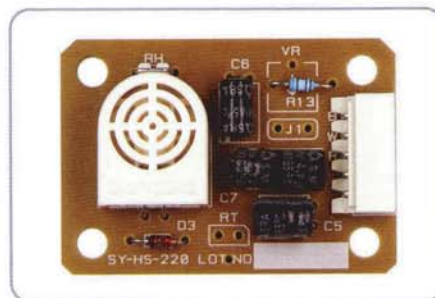


JSY-HS-220 Series

JSY-HS-220 series modules consist of a JSYH-2 sensor and an integrated circuit to provide a linear DC voltage output for 20-95%RH. They are specifically designed for use in appliances and controllers.



FEATURES

- Wide humidity operation range
- Linear DC voltage output
- High reliability and long-term stability
- Easy operation
- High sensitivity and low hysteresis
- Different output options available on request

APPLICATIONS

- Air-conditioners, Humidifiers, Dehumidifiers
- Humidity controllers, Humidity transmitters
- Humidity indicators, Hygro-recorders
- Clocks, Copiers

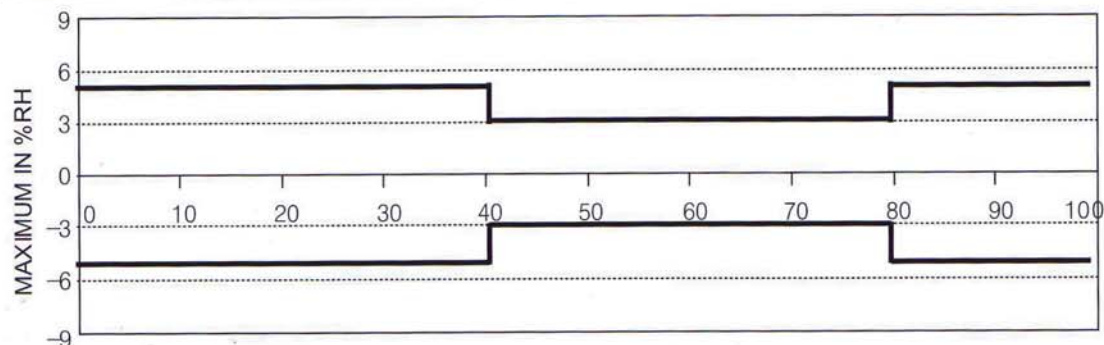
SPECIFICATIONS

Model	J SY-HS-220 (Humidity only)	J SY-HS-221 (Temperature and humidity)
Humidity sensor	JSYH-2	
Temperature sensor	None	Thermistor
Input voltage	DC 5V	
Operational temperature	0 ~ 60°C (32 ~ 140°F)	
Operational humidity	95%RH or less	
Humidity output	0 ~ 3.3V (at 25°C, 0~100%RH Full scale)	
Humidity measurement accuracy	±3%RH (at 25°C, from 40%RH to 80%RH)	
Temperature output	None	Resistance output
Temperature detection accuracy	None	R(25°C) = 10kΩ ±1% B value (25/50) = 3450 ±1%

STANDARD OUTPUT VOLTAGE

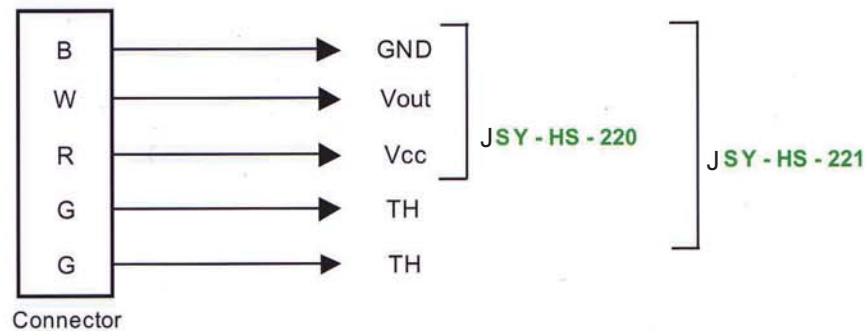
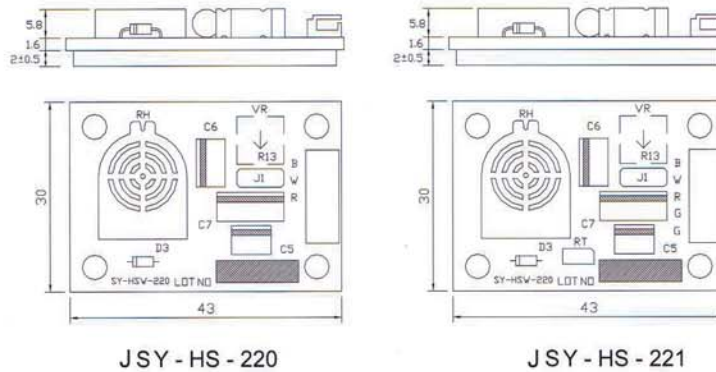
Relative Humidity	20%RH	30%RH	40%RH	50%RH	60%RH	70%RH	80%RH	90%RH
Output Voltage(mV)	660	990	1320	1650	1980	2310	2640	2970

RELATIVE HUMIDITY ACCURACY @ 25°C



JSY-HS-220 Series

④ DIMENSIONS APPLICATIONS (mm)



JSY - HS - 220

Wafer: YMAW025-03R
 Housing: YMH025-03R
 Terminal: YMT025R

JSY - HS - 221

Wafer: YMAW025-05R
 Housing: YMH025-05R
 Terminal: YMT025R

④ BASIC CHARACTERISTICS

▶ Test condition

- (1) Temperature: 25°C
- (2) Humidity: 20~90%RH

