

JSYU Series

JSYU transmitters are designed for use in energy management systems of buildings.

They combine excellent stability with easy installation and reliable operation. The Pt100 Ω , temperature sensor was applied on either voltage signal output or current output to yield the appropriate application and controllers.

So these units can be easily connected to indicators, recorders and controllers.

- Various output signals are available
- Accuracy up to $\pm 3\%RH$
- Long-term stability
- Wide range of applications
- Temperature compensated
- Full 20 to 95%RH measurement



- Humidity and temperature monitoring for commercial / industrial buildings
- Humidity and temperature monitoring for warehouse / glasshouse / greenhouse
- Humidity and temperature monitoring for clean room / museum / exhibition hall
- Humidity and temperature monitoring for warehouses for foods/drinks

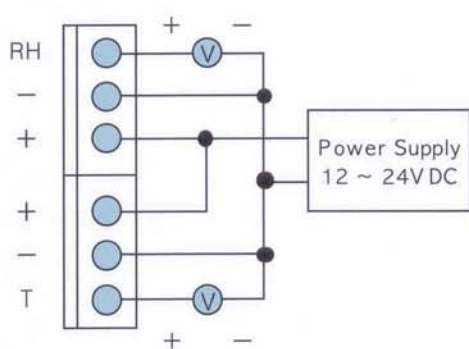
	JSYU
Humidity sensor	JSYH-2 (resistance type)
Temperature sensor	Pt100 Ω
Humidity accuracy	$\pm 3\%RH$
Temperature accuracy	$\pm 0.5^{\circ}C$
Operational temperature	0~60 $^{\circ}C$
Operational humidity	20~90%RH(non-condensing)
Power supply	DC 12~24V(free voltage)
Voltage output	1~5V
Current output	4~20mA (RL <600 Ω , at DC 24V)
Storage temperature	-30~80 $^{\circ}C$
Storage humidity	0~100%RH (non-condensing)

JSYU Series

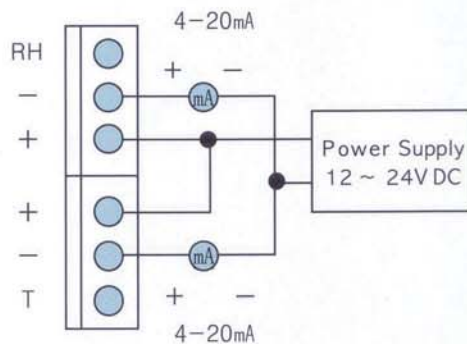
JSYU - □ □ □ □

① ② ③ ④

① Series number	② Mount type	③ Series number	④ Output type (DC)
2: 2-wiring method	W: wall mounting	0: temperature only	1: 1 ~ 5V
3: 3-wiring method	D: duct mounting	1: humidity only	2: 4 ~ 20mA
		2: temp. & humidity	



Voltage output



Current output

