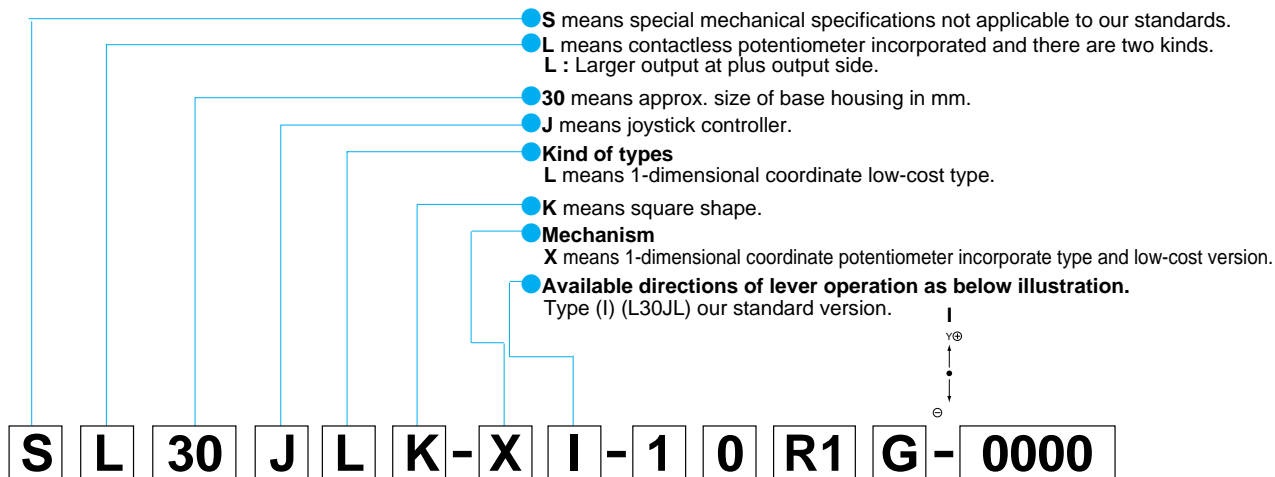


L30JL

New Product

New Inductance Type
Contactless Potentiometer inside-incorporated

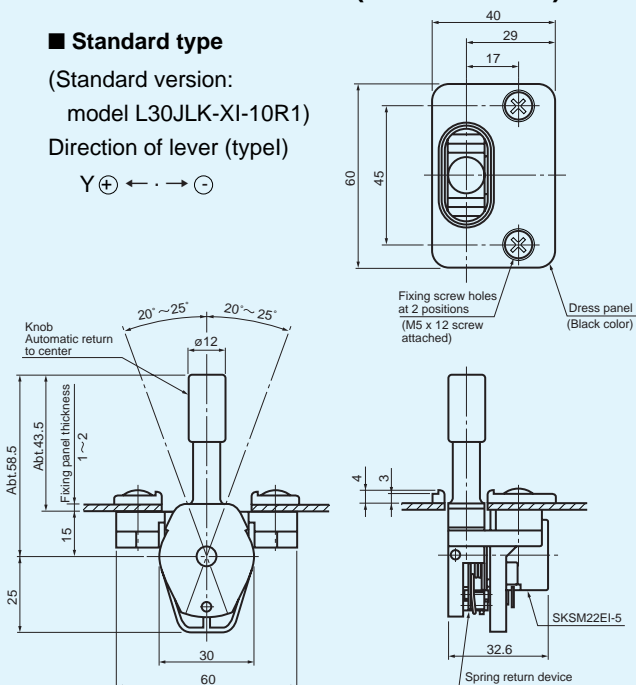
Nomenclature



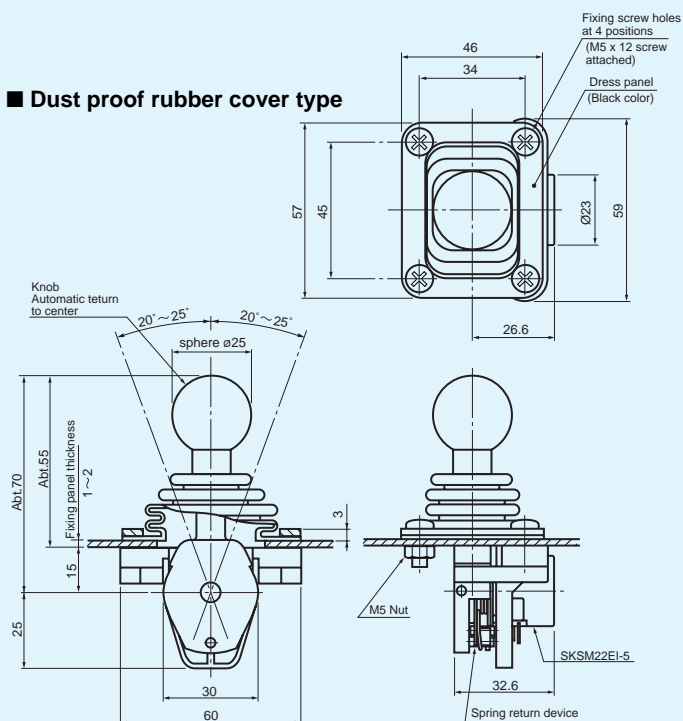
- Number of potentiometers to be mounted.**
 0...no potentiometer mounted.
 1...1 potentiometer mounted.
- Number of switches to be mounted.**
 0...no switch mounted.
 1...1 switch mounted.
 2...2 switches mounted.
- With spring return device**
R1 : with spring return device for 1-dimensional coordinate type (standard option)
- Mounting accessories**
G : means with dust-proof rubber cover and round shaped knob
R : means with round shaped knob.
P : means with sub-panel for mounting.
- Special part number basing on customer's specifications with 4 digits number.**

Standard Dimensions : (Model L30JL)

- Standard type**
 (Standard version:
 model L30JLK-XI-10R1)
 Direction of lever (typeI)
 $Y \oplus \leftarrow \cdot \rightarrow \ominus$



Dust proof rubber cover type



(Unit : mm)

This new model offers long life expectancy, vibration proof, high reliability and safety.



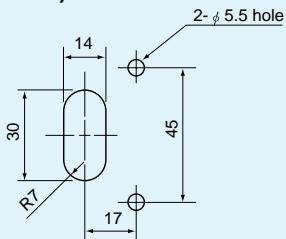
L30JLK-XI-10R1
(standard)



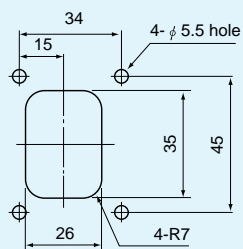
L30JLK-XI-10R1GRP
(with dust proof rubber cover)

Note : Sub-panel and rubber cover fitted on the photos are an optional parts.

■ **Panel Arrangements (standard type)**
(Common to models L30JL & M30JL)



■ **Panel Arrangements for dustproof rubber cover type**
(Common to models L30JL & M30JL)



(Unit : mm)

STANDARD SPECIFICATIONS

Model L30JL Series

(Larger output at plus output side)

● **Mechanical Performances**

Controlling range of operating lever : 1-dimensional coordinate type; $\pm 20^\circ \sim \pm 25^\circ$ from center position.

Operating force : With standard automatically center returning spring return device :

Standard...Approx. 1N ~ 2.5N (Approx. 100gf ~ 250gf).

With rubber cover...Approx. 1N ~ 5.5N (Approx. 100gf ~ 550gf)

Operating temperature range : $-20^\circ\text{C} \sim +60^\circ\text{C}$

Vibration : 10 ~ 55Hz 98m/s² (10G)

Shock : 294m/s² (30G)

Life expectancy : Approx. 5,000,000 operations

Mass : Approx. 100g

● **Electrical Performances**

Potentiometer mounted : SKSM22EI-5, inductance type contactless potentiometer.

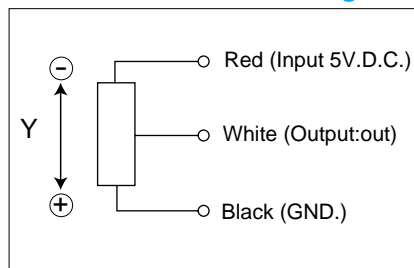
- Applied voltage : 5V.D.C.
- Effective output : Approx. 1.61V ~ 3.38V
- Independent linearity tolerance : $\pm 0.5\%$
- Load resistance : over 10k Ω

Resolution : Infinitesimal.

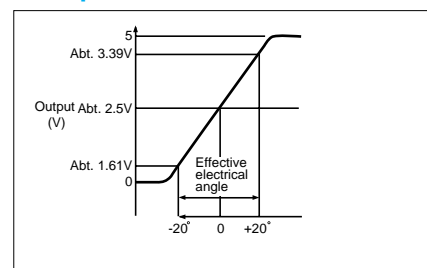
Dielectric strength : 1 minute at 250V.A.C.

Insulation resistance : Over 100M Ω at 250V.D.C.

● **Terminal Connection Diagram**



● **Output Characteristic**



● **Special Specifications Available**

Please see page 41, a table of "Standard and Special Specifications Available".

Another applied voltage is also available.