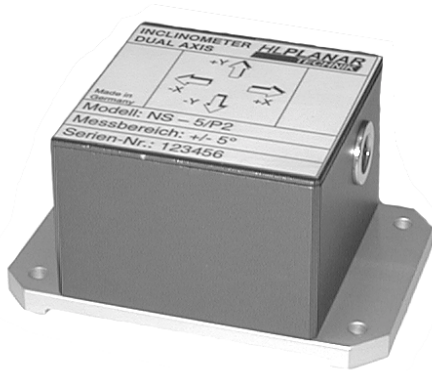


## NS-5/P2 Dual Axis Inclinometer



The NS-5/P2 dual-axis inclinometer is a member of a family of high performance, competitively priced, single and dual-axis inclinometers. The heart of every HL Planartechnik inclinometer is a small, state-of-the-art, inclination sensor. The sensor, which is comprised of a molded, ceramic case bonded, via a glass sealing process, to a ceramic substrate. Thin film, platinum electrodes are deposited on the substrate. Then the chamber is partially filled with electrolytic fluid and hermetically sealed.

The molded, ceramic, sensor housing combined with a precise, planar electrode geometry yields excellent performance and consistent part-to-part uniformity.

P-type dual axis inclinometers are microprocessor controlled transducers capable of producing a linearized RS-232 digital output. With their machined, aluminium baseplate and IP 65 housing, they are an ideal choice for a variety of industrial, automotive and aerospace applications.

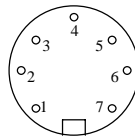
### Applications

- Zero point detection
- Aligning and level control
- Angle

### Advantages

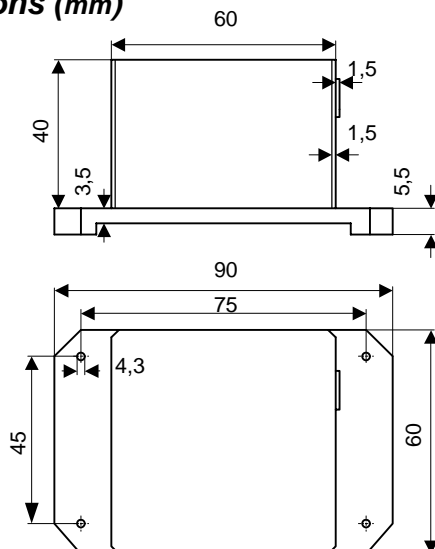
- Wide range of application
- Low vibration sensitivity
- Higher Precision

### Pinout



1	+Ub	Supply Voltage
2	GND	Ground
3	Earth	Earth
4	n.c.	n.c.
5	n.c.	n.c.
6	Input	RxD
		digital RS232
7	Output	TxD
		digital RS232

### Dimensions (mm)



### Specifications

Range:	$\pm 5^\circ$
Precision: digital:	$\pm 0.01^\circ$
Resolution:	$0.0005^\circ$
Temperature stability: Zero point: Sensitivity:	$< 5 \cdot 10^{-4} / K$ $< 1 \cdot 10^{-3} / K$
Output signal: Digital RS 232	In degrees
Transmission rate:	2400 or 9600 Baud
Format:	ASCII
Operating temp. Range:	$-25^\circ C \dots +85^\circ C$
Storage temp. Range:	$-40^\circ C \dots +85^\circ C$
Supply voltage:	+5VDC ... +24VDC
Current consumption:	ca. 35 mA
Protection class:	IP 65
Connection:	Connector or Pigtail