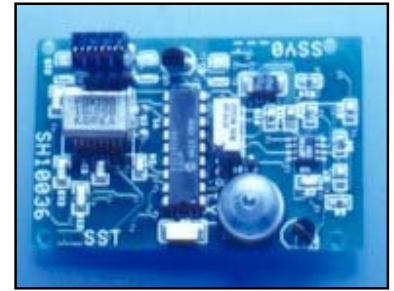


SSY0135 ñ RS232 Signal Conditioner

The SSY0135 **RS232 Signal Conditioner** is a Single Axis Conditioner, which delivers an RS232 output. Designed to utilize the entire line of SH Series Ceramic Tilt Sensors (not included), the SSY0135 is capable of supplying digital data over a +/-0.5 to +/-80 degrees full range (sensor dependent). The output can be easily interfaced to a PC using the serial port, or directly to a microcontroller. The open architecture design simplifies installation, allows easy access for gain adjustment, and makes this conditioner perfect for OEM applications. Other select *Spectron* sensors may also be used with the SSY0135. Consult factory for details.



General Specifications

Input voltage+7 to +20Vdc
 Input current..... 5mA @ +12Vdc
 Resolution 12 bits
 Response time 25 mSec
 Null offset adjustment programmable
 Operating Temp range -20 to +70 degC
 Storage Temp Range -40 to +90 degC
 Stability over temperature +/-2 bits
 Temperature resolution 1 degC
 Clock Speed 10 Mhz

Communication Protocol

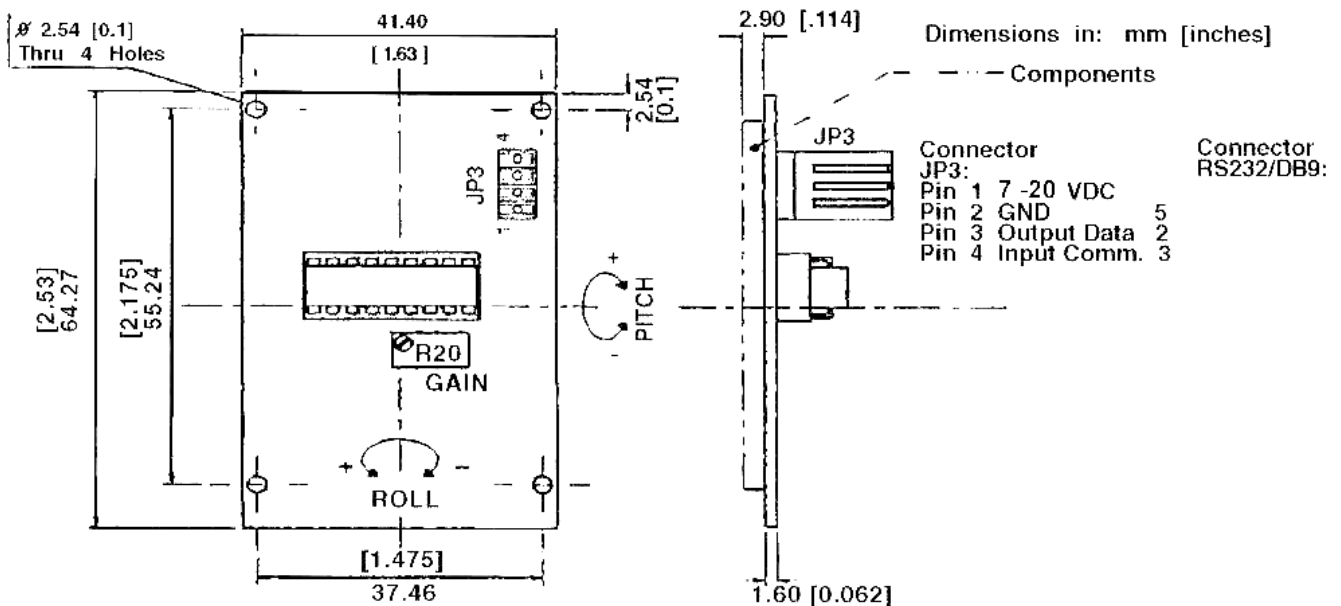
Baudrate 19200
 Data width 8 bits
 Parity none
 Flow control none
 Stop bit 1

* Consult factory for detailed communication protocol information!

Ordering Information

part number = SSY0135-XX (-XX denotes sensor type)

Dimensions, Electrical Connections, and Adjustments



駿融企業有限公司 JIN ZON ENTERPRISE CO., LTD.
 104 台北市長安東路二段 171 號 4 樓之 3
 4F-3, No. 171, Sec. 2, Chang An E. Rd., Taipei, Taiwan, R. O. C.
 TEL: 886-2-27111093~5 FAX: 886-2-27310902
 E-mail: jinzon@ms2.hinet.net Http:// www.jinzon.com.tw/