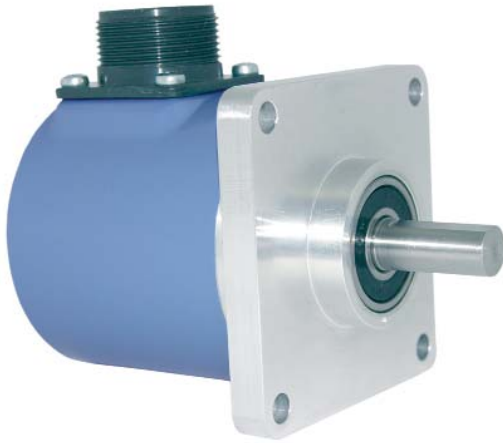


Encoder WDG 63Q



Dimensions inches

- Square flange
 - 3/8" stainless steel shaft
 - Dimensions inches
 - Protection to IP67, shaft sealed to IP65
 - With control output
 - Optional: -40°C ... +80°C [-40°F ... +176°F]
- www.wachendorff.de/wdg63q-engl

Application field

Electric motors, crane systems, packaging machines, conveyer and drive systems, assembly equipment, elevators/lifts.

Available PPR up to 5000

Mechanical Data

- Housing**
- Square flange: Aluminium
 - Housing: Aluminium, powder coated
- Shaft**
- Material: stainless steel
 - Load on shaft end: max. 220 N radial [22,434 kp]
 - Starting torque: max. 120 N axial [12,237 kp]
 - Starting torque: approx. 1 Ncm [1,416 in-ozf] at ambient temperature
- Bearings**
- Type: 2 precision ball bearings
 - Service life: 10⁹ revs. at 100% of full rated shaft load
 - 10¹⁰ revs. at 40%
 - 10¹¹ revs. at 20%
- Operating speed:** 8.000 rpm
- Weight:** approx. 300 g [10.582 oz]
- Connections:** Shielded cable or connector
- Protection rating:** IP67, shaft sealed to IP65 (EN 60529)
- Operating temperature:** -20...+80°C [-4°F...+176°F]
- 1Vss: -10...+70°C, [14°F...158°F]
- Storage temperature:** -30... +80°C [-22° F ... +176° F]

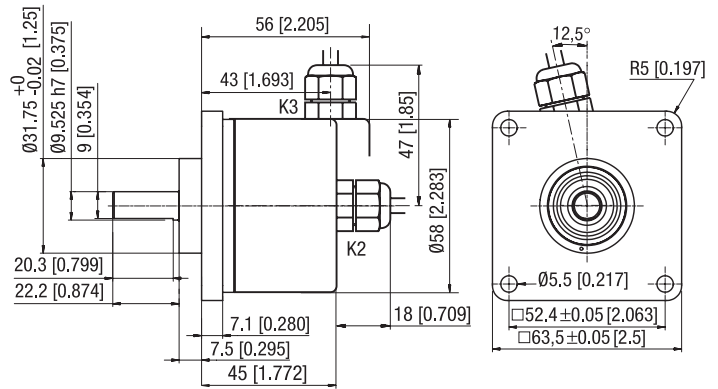
Electrical Data

Power supply	Output circuit	Key	Output circuit	Key
10-30 VDC	HTL	G24	HTL, inv.	I24
5 VDC	TTL	G05	RS422, TTL comp.	I05
5-30 VDC	HTL	H30	HTL, inv.	R30
10-30 VDC	-	-	RS422, TTL comp.	245
5 VDC	-	-	1 Vss Sin./Cos.	SIN

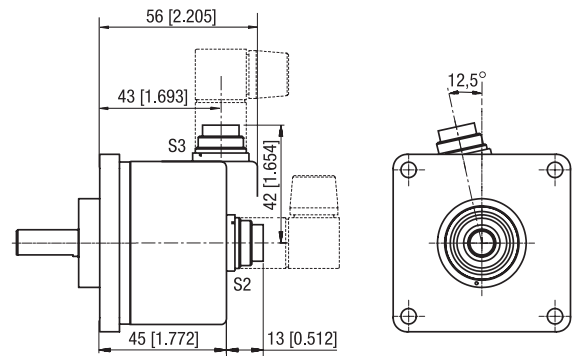
*Only for cable or connector:

K2, L2, K3, L3, S4, S5, SB8, SC8, SB12, SC12

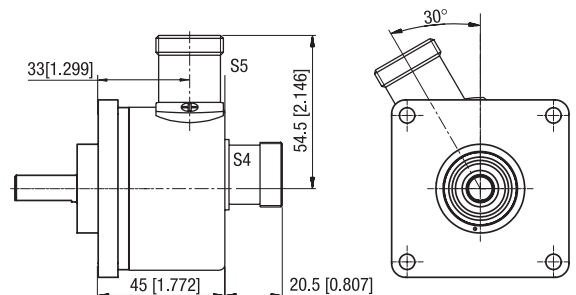
Cable connection K2, K3



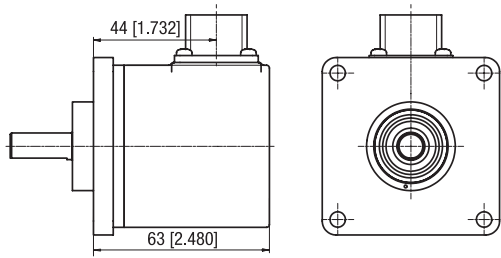
Connector S2, S3, 7-pin



Connector S4, S5, 12-pin



MIL-connector S6, 6-pin



Options:

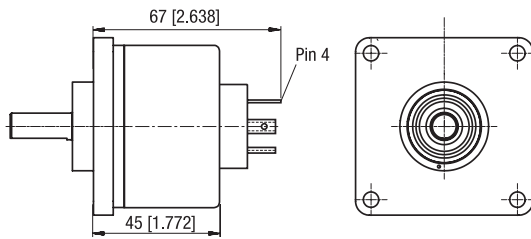
Low-temperature:

The encoder WDG 63Q with the output switches G24, I24, G05, I05 and 245 is also available with the extended temperature range -40°C ... +80°C [-40° F ... +176°F] (measured at the flange). When ordering please add the suffix code - ACA.

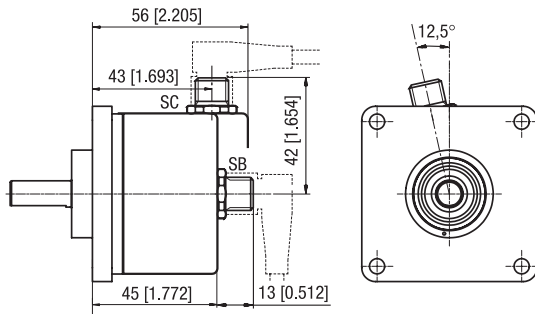
Cable length:

The encoder WDG 63B can be supplied with more than 2 m cable. Please extend the standard order code with a three figure number, specifying the cable length in decimetres.

Valve-connector S7, 4-pin



Sensor-connector (M12x1) SB, SC, 4-, 5-, 8-, 12-pin



All dimensional specifications at technical drawings in mm [inch].
 Further technical information on www.wachendorff.de/gtd
 Matching accessories on www.wachendorff.de/acs

Ordering information:

Output circuit: G24 = 10-30 VDC, HTL G05 = 5 VDC, TTL H30 = 5-30 VDC, HTL	Output circuit inv.: I24 = 10-30 VDC, HTL I05 = 5 VDC, RS422 TTL comp. R30 = 5-30 VDC, HTL 245 = 10-30 VDC, RS422 TTL comp. SIN = 5 V, 1 Vss Sinus (only to 1024 and 2048 PPR)
Inverted only for cable or connector: K2, L2, K3, L3, S4, S5, SB8, SC8, SB12, SC12	

Channels: AB, ABN (SIN: AB)

Pulses per revolution:
 2, 10, 15, 20, 24, 36, 40, 48, 50, 60, 64, 72, 87, 90, 100, 120, 125, 127, 128, 150, 160, 180, 200, 216, 240, 250, 254, 256, 300, 314, 320, 360, 400, 500, 512, 571, 600, 625, 720, 750, 768, 800, 810, 900, 1000, 1024, 1200, 1250, 1270, 1440, 1500, 1800, 2000, 2048, 2400, 2500, 3000, 3600, 4000, 4096, 4685, 5000.
 Other PPR's on request

Electrical connections:	
Cable:	
K2 = axial, 2m [6.562ft], shield not connected (standard)	
L2 = axial, 2m [6.562ft], shield connected to encoder housing	
K3 = radial, 2m [6.562ft], shield not connected (standard)	
L3 = radial, 2m [6.562ft], shield connected to encoder housing	
Connector:	
S2 = 7-pin axial	SB4 = 4-pin axial
S3 = 7-pin radial	SC4 = 4-pin radial
S4 = 12-pin axial	SB5 = 5-pin axial
S5 = 12-pin radial	SC5 = 5-pin radial
S6 = 6-pin radial	SB8 = 8-pin axial
S7 = 4-pin axial	SC8 = 8-pin radial
	SB12 = 12-pin axial
	SC12 = 12-pin radial
Please note the connection configuration under "General technical data", Page 122	

Options:

Empty =		without option
Low-temperature	-40°C...+80°C	
	[-40°F ...+176°F]	= ACA
Cable length =		in decimetres

Order No.:						
Example	WDG 63Q	500	ABN	G24	K3	
Your encoder	WDG 63Q					