

Encoder WDG 80H



- Rugged and economical encoder
 - High protection class IP 65
 - Continuous hollow shaft 10 to 25 mm
 - With control output
 - Easy mounting
 - Optional: -40°C ... +80°C
- www.wachendorff.de/wdg80h-engl

Application field

Wood- and plastic-machines, paper-machines, mounting technology.

Available PPR

up to 1024

Mechanical Data

Housing

- Flange: Aluminium
- Housing: Aluminium, powder coated
- Torque Support: Incl. 1 spring plate WDGDS10001
- Spring plate compensation: axial: max. 2 mm
radial: max. 0,15 mm
- Operating speed: 3.500 rpm

Hollow Shaft

- Material: stainless steel
- Diameter: 10, 12, 15, 18, 20, 25 mm
- Attachment: 2 x M4, DIN 913
- Starting torque: 2,5 Nm
- Load on shaft end: max. 200 N radial
max. 100 N axial
- Starting torque: approx. 6 Ncm at ambient temperature

Bearings

- Type: 2 precision ball bearings
- Service life: 3 x 10¹⁰ revs. at 100% of full rated shaft load
10¹¹ revs. at 40%
10¹² revs. at 20%

Weight:

approx. 600 g

Connections:

Shielded cable or connector

Protection rating:

IP65
(EN 60529)

Operating temperature:

-20... +80°C, 1Vss: -10... +70°C

Storage temperature:

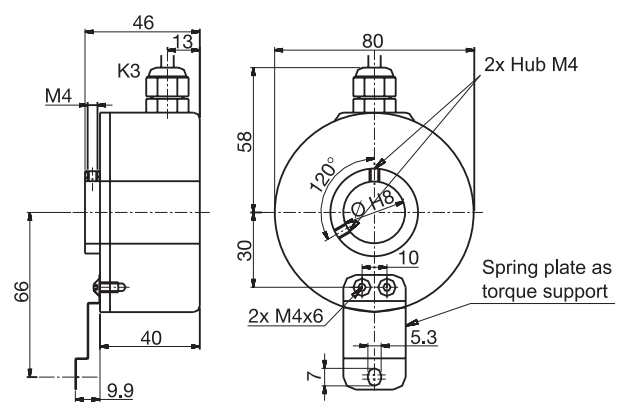
-30... +80°C

Electrical Data

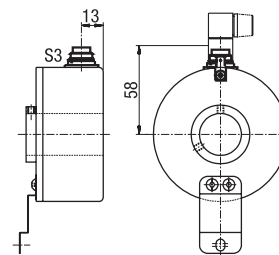
Power supply	Output circuit	Key	Output circuit*	Key
10-30 VDC	HTL	G24	HTL, inv.	I24
5 VDC	TTL	G05	RS422, TTL comp.	I05
5-30 VDC	HTL	H30	HTL, inv.	R30
10-30 VDC	-	-	RS422, TTL comp.	245
5 VDC	-	-	1 Vss Sin./Cos.	SIN

*Only for cable or connector: K3, L3, S5, SC8, SC12

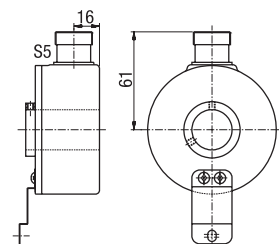
Cable connection K3

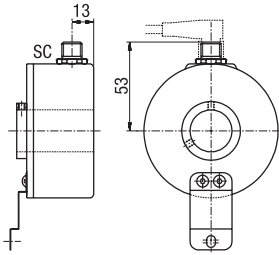


Connector S3, 7-pin



Connector S5, 12-pin



Sensor-connector (M12x1) SC, 4-, 5-, 8-, 12-pin

Options:
Low-temperature:

The encoder WDG 80H with the output switches G24, I24, G05, I05 and 245 is also available with the extended temperature range -40°C...+80°C (measured at the flange). When ordering please add the suffix code - ACA.

Cable length:

The encoder WDG 80H can be supplied with more than 2 m cable. Please extend the standard order code with a three figure number, specifying the cable length in decimetres.

All dimensional specifications in mm.

Further technical information on www.wachendorff.de/gtd
 Matching accessories on www.wachendorff.de/acs

Ordering information:

Output circuit: G24 = 10-30 VDC, HTL G05 = 5 VDC, TTL H30 = 5-30 VDC, HTL	Output circuit inv.: I24 = 10-30 VDC, HTL I05 = 5 VDC, RS422 TTL comp. R30 = 5-30 VDC, HTL 245 = 10-30 VDC, RS422 TTL comp. SIN = 5 V, 1 Vss Sinus (only to 1024 PPR)	Electrical connections: Cable: K3 = radial, 2 m, shield not connected (standard) L3 = radial, 2 m, shield connected to encoder housing Connector: S3 = 7-pin radial S5 = 12-pin radial SC4 = 4-pin radial SC5 = 5-pin radial SC8 = 8-pin radial SC12 = 12-pin radial Please note the connection configuration under "General technical data", Page 122					
Channels: AB, ABN		Options: Empty = without option Low-temperature -40°C...+80°C = ACA Cable length = in decimetres					
Pulses per revolution: 50, 100, 250, 500, 1000, 1024. Other PPR's on request							
Hollow shaft diameter: 10, 12, 15, 18, 20, 25 Other diameters on request							
Order No.: Example	<input type="text" value="WDG 80H"/>	<input type="text" value="25"/>	<input type="text" value="1000"/>	<input type="text" value="ABN"/>	<input type="text" value="G24"/>	<input type="text" value="K3"/>	<input type="text"/>
Your encoder	<input type="text" value="WDG 80H"/>	<input type="text"/>	<input type="text"/>	<input type="text"/>	<input type="text"/>	<input type="text"/>	<input type="text"/>