

• **4 AC Relays in One Compact PCB Mount Package**

• **Crydom's Patented Design**

The CTX240D3Q offers four independently controlled solid state relays in one compact PCB mount package. Based on the proven Series CX package the CTX features extra low leakage

and 4-10 Vdc logic compatible input. The CTX exhibits exceptional steady state ratings utilizing high efficiency thermal management for increased cycle life.

Manufactured in Crydom's ISO 9002 Certified facility for optimum product performance and reliability.

MODEL NO.	ZERO-CROSS SWITCH CTX240D3Q	RANDOM SWITCH CTX240D3QR
INPUT SPECIFICATIONS ① ③		
Control Voltage Range	4-10 Vdc	
Nominal Input Impedance	270 Ohm	
Typical Input Current (@ 5 Vdc)	15 mAdc	
Must Turn On Voltage	4.0 Vdc	
Must Turn Off Voltage	1.0 Vdc	
OUTPUT SPECIFICATIONS ① ③		
Operating Voltage Range	24-280 Vrms	
Load Current Range per Section (Figure 1)	1 Section ON; 0.1-6.0 Arms 2 Sections ON; 0.1-4.0 Arms 3 Sections ON; 0.1-3.0 Arms 4 Sections ON; 0.1-2.5 Arms	
Surge Current, 1 Cycle (Max.)	120 Apk	
Transient Over-Voltage	600 Vpk	
Frequency Range	47-63	
Off-State dv/dt (Min.) ②	200 V/μsec	
Off-State Leakage (Max.) @ Nominal Voltage	0.1 mArms	
On-State Voltage Drop (Max.)	1.4 Vpk	
i ² t Max. @ t = 8.3 msec.	60 A ² sec	
Max. Turn-On Time	1/2 Cycle	0.1msec
Max. Turn-Off Time	1/2 Cycle	
Power Factor (Min.) With Max. Load	0.5	

©2003 CRYDOM CORP. Specifications subject to change without notice.

For recommended applications and more information contact:

USA: Sales Support (877) 502-5500 **Tech Support** (877) 702-7700 **FAX** (619) 710-8540
Crydom Corp, 2320 Paseo de las Americas, Ste. 201, San Diego, CA 92154

Email: sales@crydom.com **WEB SITE:** http://www.crydom.com

UK: +44 (0)1202 365070 • **FAX** +44 (0)1202 365090 Crydom International Ltd., 7 Cobham Road, Ferndown Industrial Estate, Ferndown, Dorset BH21 7PE, **Email:** intsales@crydom.com.

GERMANY: +49 (0)180 3000 506

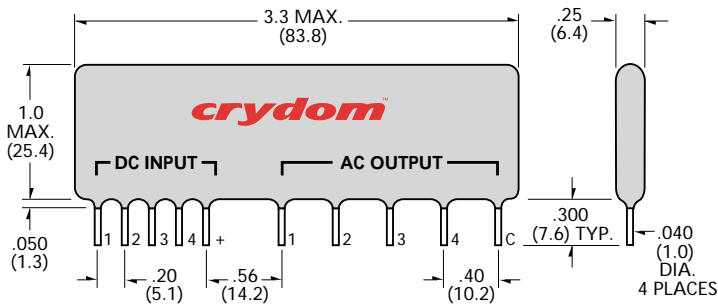


GENERAL SPECIFICATIONS

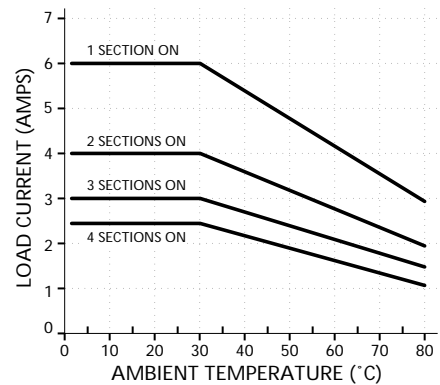
Dielectric (Min.)	2500 Vrms
Insulation Resistance (Min.) @ 500 Vdc	10 ⁹ Ohm
Capacitance (Max.)	10 pF
Ambient Operating Temperature Range	-30 to 80°C
Ambient Storage Temperature Range	-30 to 125°C

MECHANICAL SPECIFICATIONS

Weight: (typical)	0.5 oz. (14.4g)
Encapsulation:	Thermally Conductive Epoxy



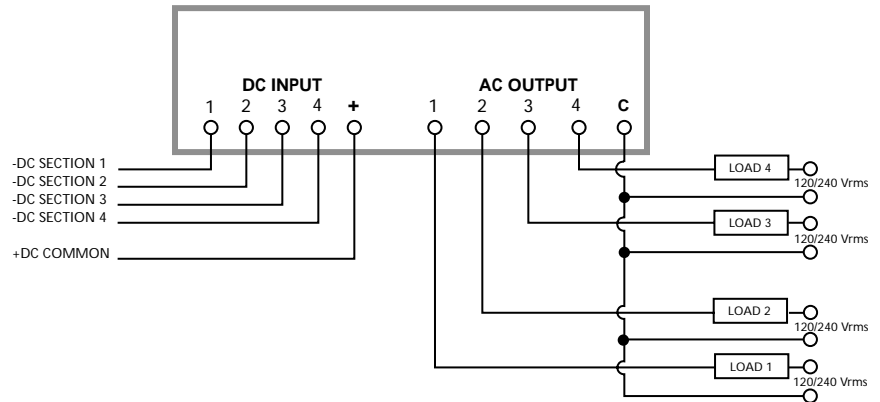
CURRENT DERATING CURVE



GENERAL NOTES

- ① All parameters at 25°C unless otherwise specified.
- ② Off-State dv/dt test method per EIA/NARM standard RS-443, paragraph 13.11.1
- ③ All specifications are per section unless otherwise noted.

WIRING DIAGRAM



©2003 CRYDOM CORP. Specifications subject to change without notice.

